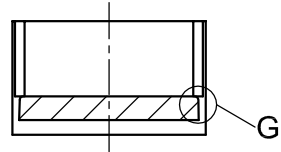
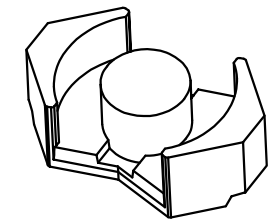
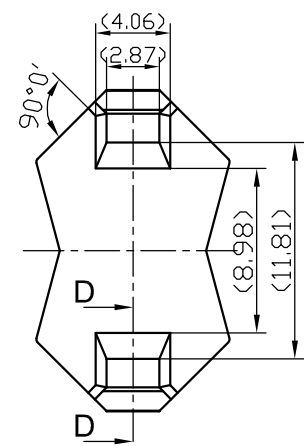
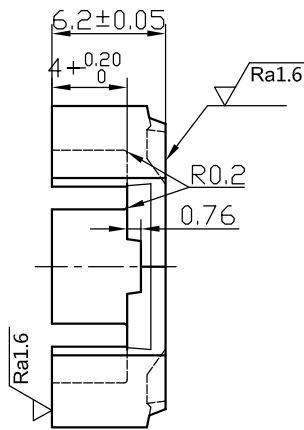
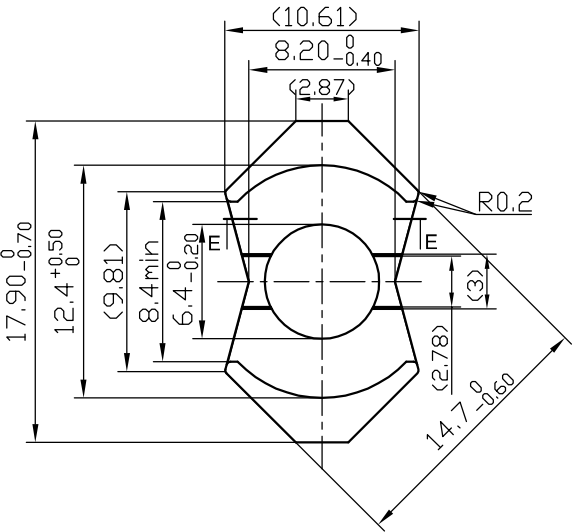
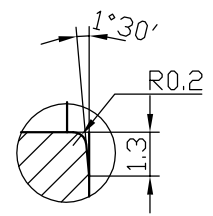


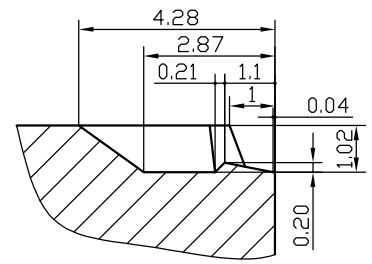
REVISION HISTORY			
Rev	DESCRIPTION	DATE	APPROVED



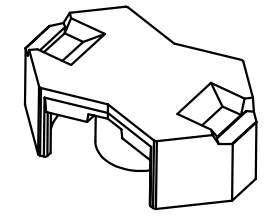
Section E-E



Detail G



Section D-D



	Scale	Material	Customer Part number	
	2.5 : 1		Product Name	
Unit:	Standard tolerances	RM-6S		
mm	±0.1	Approved by	Created by	Document type
		Y.Higuchi	H.Huang	Production drawing
				Rev
				00
				Drawing No.
				PY170707M10
Hitachi Metals (Hong kong) Ltd. Panyu Factory			Date of issue	Sheet
			JUL 7 2017	1/1